

# PREMIER STEEL DOORS AND FRAMES



P.O. Box 7269 • Monroe, LA 71211  
 (318) 361-0796 • Fax (318) 323-5068

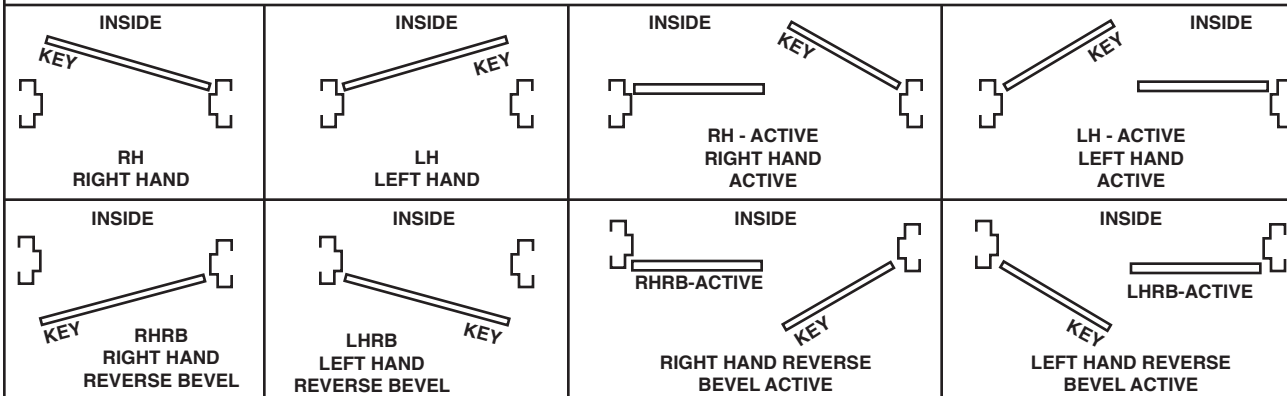
## HOLLOW METAL DOORS AND FRAMES

### DOOR SWING CHART

### APPROVAL

#### SINGLE DOORS

#### PAIRS OF DOORS



| NO. | REVISION | DATE | DRAWN | DISTRIBUTOR | JOB:  |
|-----|----------|------|-------|-------------|---|
|     |          |      |       |             |   |
|     |          |      |       |             | LOCATION:   |
|     |          |      |       |             | CONTRACTOR:   |
|     |          |      |       |             | ARCHITECT:  |
|     |          |      |       |             | DRAWN BY:                      JOB NO.:                 |
|     |          |      |       |             | DATE:                              SHEET _____ OF _____ |

## GENERAL NOTES

CO = CASED OPENING  
 DA = DOUBLE ACTING  
 D/E = DOUBLE EGRESS  
 KD = KNOCKED DOWN  
 PR = PAIR

SUTW = SET-UP, TABS WELDED ONLY  
 SUAW = SET-UP, FACE WELD JOINT ONLY  
 SUFW = SET-UP WELD JOINT FULL DEPTH

H = HONEYCOMB CORE  
 P = POLYURETHANE CORE  
 PS = POLYURETHANE STEEL STIFFENED CORE  
 M = LABEL COMPOSITE CORE  
 F = FLUSH DOOR  
 G = HALF GLASS DOOR  
 G2 = HALF GLASS DOOR (W/2 LITES)  
 G3 = HALF FLASS DOOR (W/3 LITES)  
 LG = LONG GLASS DOOR  
 LV = LONG VISION DOOR  
 V = VISION LITE DOOR  
 BL = BOTTOM LOUVER DOOR  
 FL = FULL LOUVER DOOR  
 WBO = WOOD BY OTHERS

4 = 1 3/4" THICK DOOR  
 8 = 1 3/8" THICK DOOR

### FRAME & GAUGE DESIGNATIONS

F-18 = CONVENTIONAL WALL FRAME, 18 GA.  
 F-16 = CONVENTIONAL WALL FRAME, 16 GA.  
 F-14 = CONVENTIONAL WALL FRAME, 14 GA.  
 FE-18 = DRYWALL FRAME, 18 GA.  
 FE-16 = DRYWALL FRAME, 16 GA.

NOTE: = WHEN LABEL FRAMES ARE REQUIRED  
 NOTE IN LABEL COLUMN.

### DOOR & GAUGE DESIGNATIONS

S-20 = POLYSTYRENE CORE DOOR, 20 GA.  
 S-18 = POLYSTYRENE CORE DOOR, 18 GA.  
 H-20 = HONEYCOMB CORE DOOR, 20 GA.  
 H-18 = HONEYCOMB CORE DOOR, 18 GA.  
 P-20 = POLYURETHANE CORE DOOR, 20 GA.  
 P-18 = POLYURETHANE CORE DOOR, 18 GA.  
 P-16 = POLYURETHANE CORE DOOR, 16 GA.  
 PS-18 = POLYURETHANE CORE DOOR, 18 GA.  
 WITH VERTICAL STIFFENERS

M-18 = LABEL COMPOSITE CORE DOOR, 18 GA.  
NOTE: = WHEN DESIGNATING LABEL DOORS  
 NOTE RATING REQUIRED IN LABEL  
 COLUMN.

A - LABEL = 3 HOUR  
 B - LABEL = 1 1/2 HOUR  
 C - LABEL = 3/4 HOUR  
 D - LABEL = 1 1/2 HOUR  
 E - LABEL = 3/4 HOUR  
 20 MINUTE = 1/3 HOUR

**PREMIER**

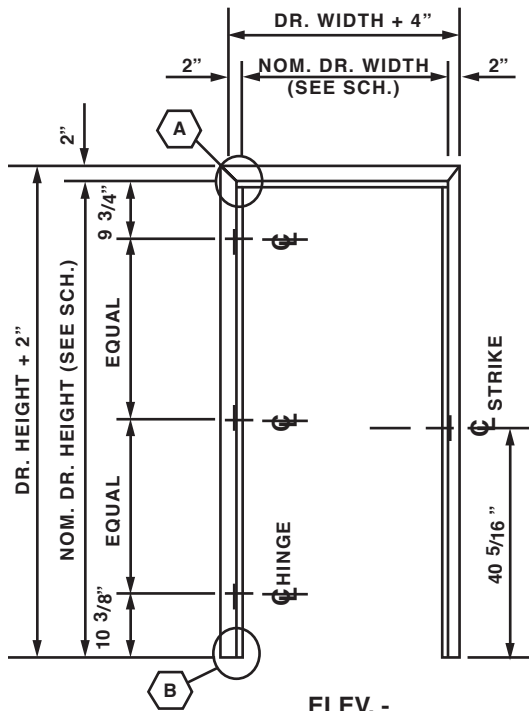
**GENERAL INFORMATION AND NOTES**

DRAWN BY \_\_\_\_\_

JOB NO. \_\_\_\_\_

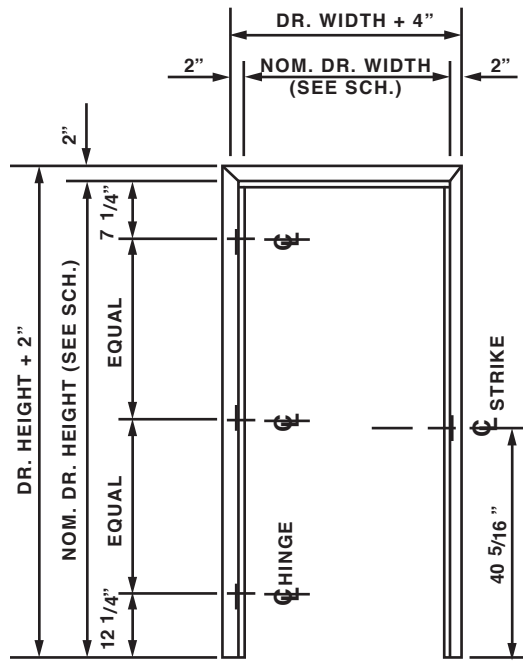
DATE \_\_\_\_\_

SHEET \_\_\_\_\_ OF \_\_\_\_\_



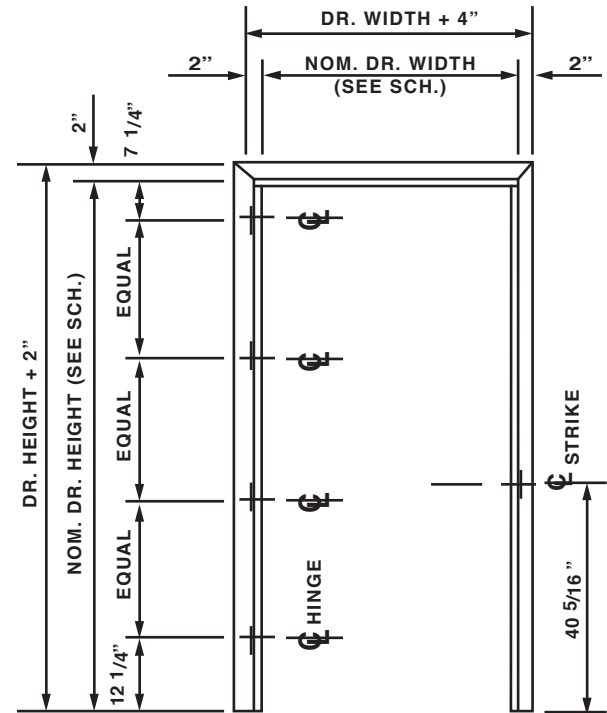
ELEV. - \_\_\_\_\_

FRAME HINGE SPACING FOR 1 3/8" THICK DOORS. OMIT CENTER HINGE FOR 6'- 8" HIGH NON-LABEL DOORS. STANDARD HINGE BACKSET IS 1/4" ON FRAMES FOR 1 3/8" THICK DOORS.



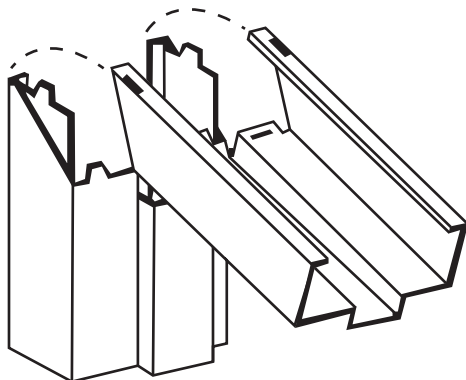
ELEV. - \_\_\_\_\_

FRAME HINGE SPACING FOR 1 3/4" THICK DOORS 6'- 8" THRU 7'- 2" HIGH. STANDARD HINGE BACKSET IS 3/8" ON FRAMES FOR 1 3/4" THICK DOORS.

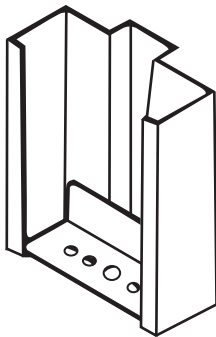


ELEV. - \_\_\_\_\_

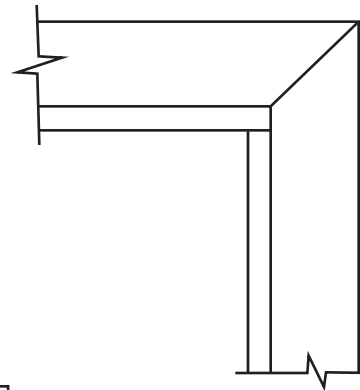
FRAME HINGE SPACING FOR 1 3/4" THICK DOORS OVER 7'- 2". STANDARD HINGE BACKSET IS 3/8" ON FRAMES FOR 1 3/4" THICK DOORS.



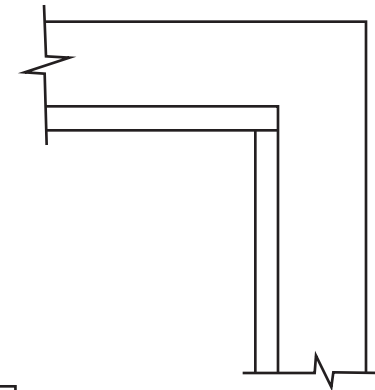
DETAIL CORNER DETAIL



DETAIL STANDARD BASE ANCHOR



K.D. CORNER



K.D. CORNER FACE WELDED (SUAW)

**PREMIER**

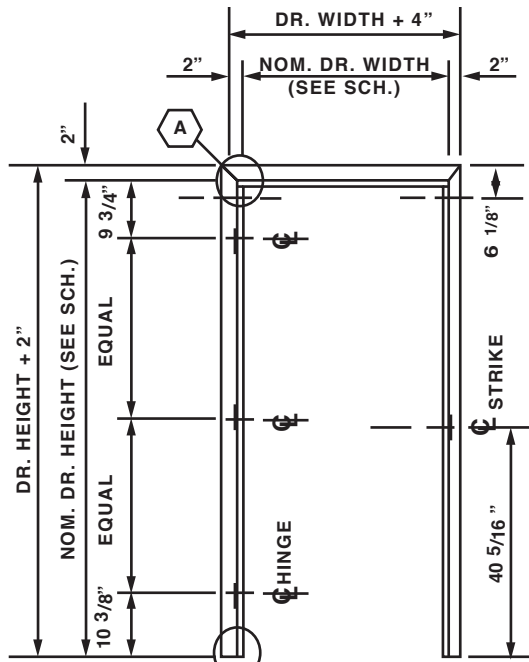
**CONVENTIONAL WALL FRAMES - SERIES F**

DRAWN BY \_\_\_\_\_

JOB NO. \_\_\_\_\_

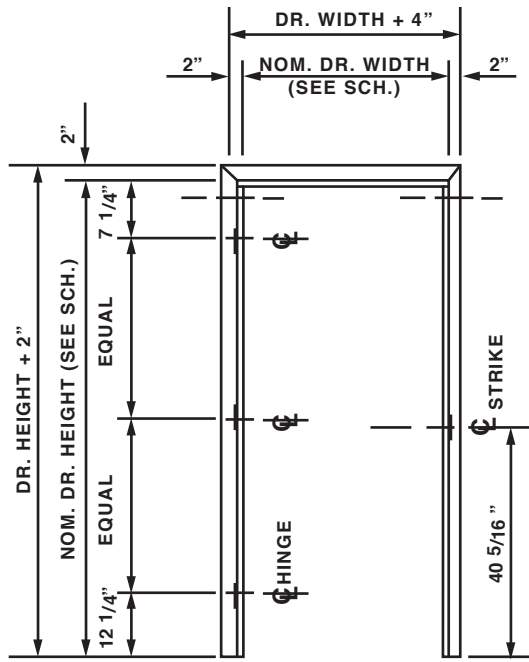
DATE \_\_\_\_\_

SHEET \_\_\_\_\_ OF \_\_\_\_\_



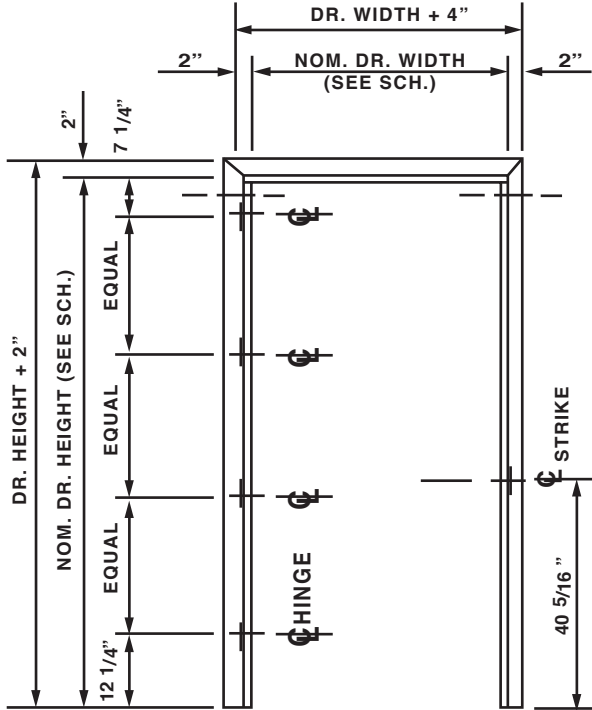
ELEV. - \_\_\_\_\_

FRAME HINGE SPACING FOR 1 3/8" THICK DOORS. OMIT CENTER HINGE FOR 6'-8" HIGH NON-LABEL DOORS. STANDARD HINGE BACKSET IS 1/4" ON FRAMES FOR 1 3/8" THICK DOORS.



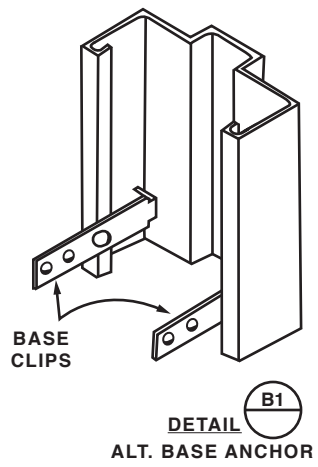
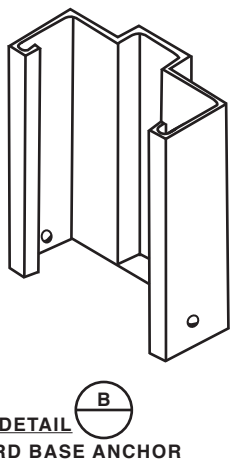
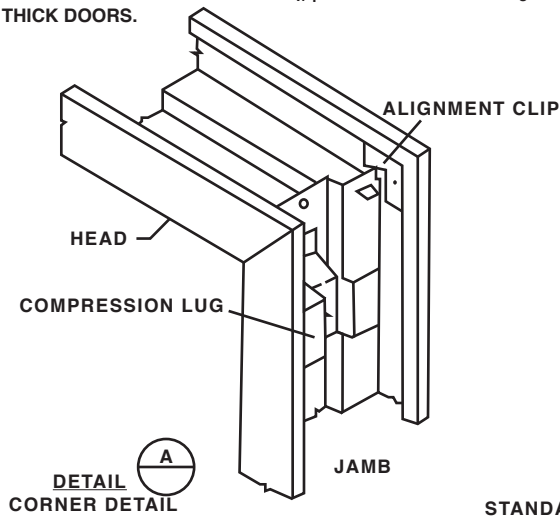
ELEV. - \_\_\_\_\_

FRAME HINGE SPACING FOR 1 3/4" THICK DOORS 6'-8" THRU 7'-2" HIGH. STANDARD HINGE BACKSET IS 3/8" ON FRAMES FOR 1 3/4" THICK DOORS.



ELEV. - \_\_\_\_\_

FRAME HINGE SPACING FOR 1 3/4" THICK DOORS OVER 7'-2". STANDARD HINGE BACKSET IS 3/8" ON FRAMES FOR 1 3/4" THICK DOORS.



**NOTE:**  
 DRYWALL LABELED FRAMES ARE AVAILABLE IN 16 GA. ONLY. THE MAXIMUM SIZE AVAILABLE IS 4'-0" x 9'-0" SINGLE SWING. DOUBLE SWING DRYWALL FRAMES FOR PAIRS OF DOORS UP TO 6'-0" x 9'-0" ARE AVAILABLE.

**PREMIER**

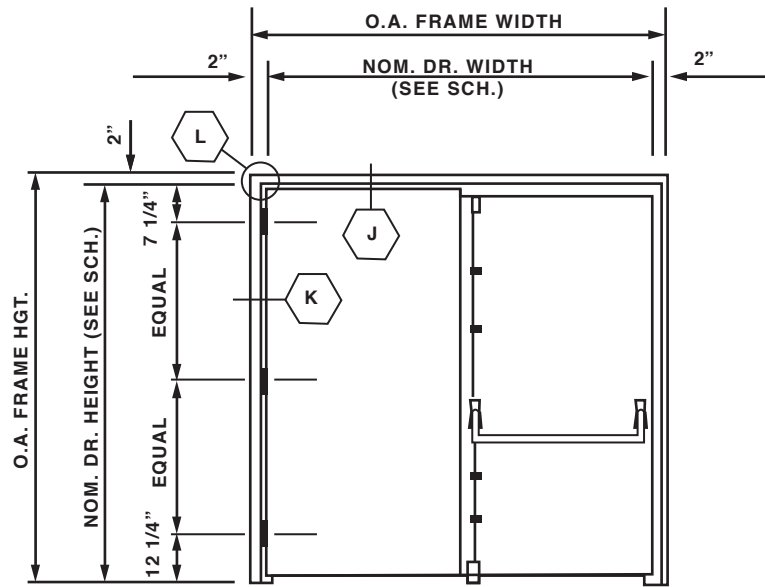
**DRYWALL FRAMES - SERIES FE**

DRAWN BY \_\_\_\_\_

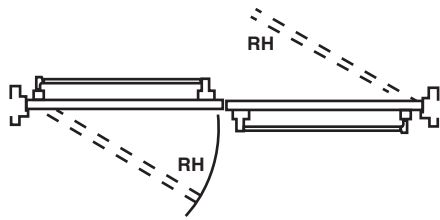
JOB NO. \_\_\_\_\_

DATE \_\_\_\_\_

SHEET \_\_\_\_\_ OF \_\_\_\_\_



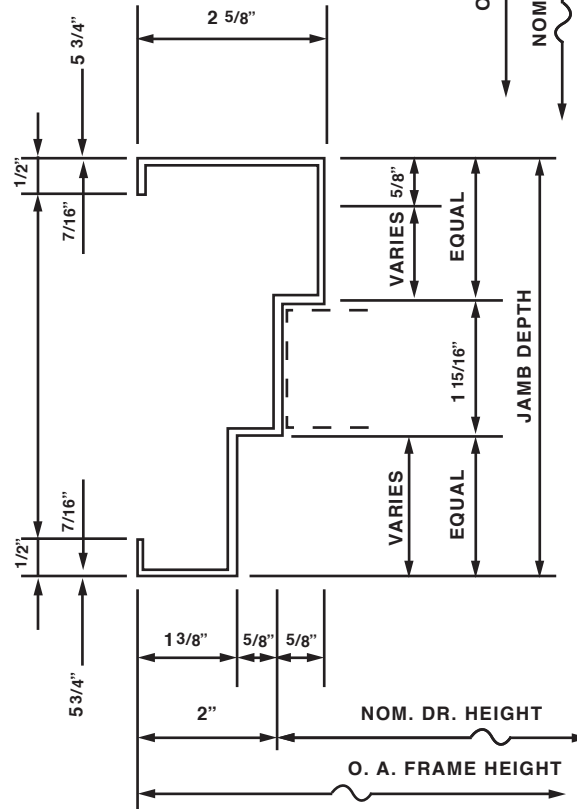
ELEV. \_\_\_\_\_



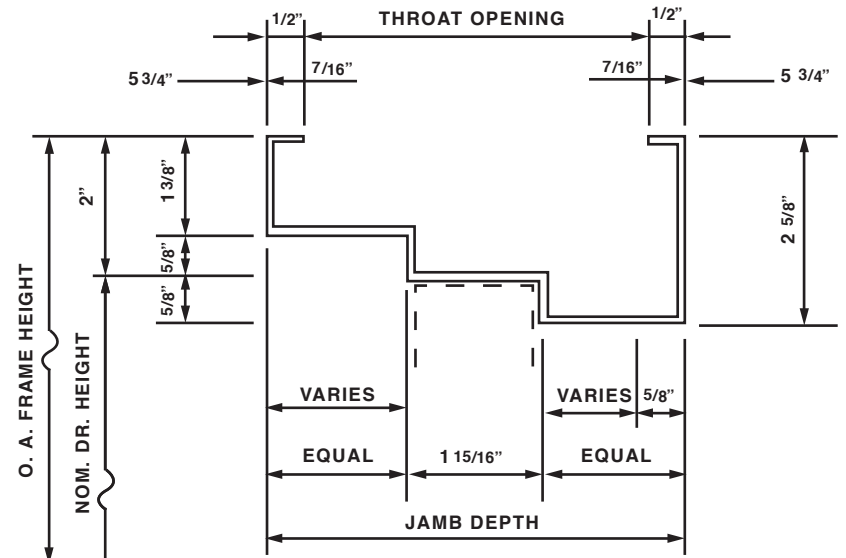
PLAN VIEW

DOORS SHALL BE HANDED RH/RH  
UNLESS OTHERWISE SPECIFIED.  
LH/LH AVAILABLE UPON REQUEST.

STANDARD HINGE BACKSET IS 3/8" ON  
FRAMES FOR 1 3/4" THICK DOORS.



SECT.



SECT.

**NOTES:**

1. DOUBLE EGRESS DOORS AND FRAME AVAILABLE UP TO 8' - 0" x 8' - 0"
2. MAXIMUM HEIGHT FOR LABEL RATED UP TO 1 1/2" HOURS IS 7' - 2" (WITH OR WITHOUT STEEL ASTRAGAL).
3. JAMB DEPTH IS 5 3/4" THRU 14 1/2"
4. LABEL DOUBLE EGRESS DOORS AND FRAME MUST ALWAYS BE SUPPLIED AS A UNIT.
5. FOUR (4) HINGES ON DOUBLE EGRESS FRAMES OVER 7' - 2" IN HEIGHT.

**PREMIER**

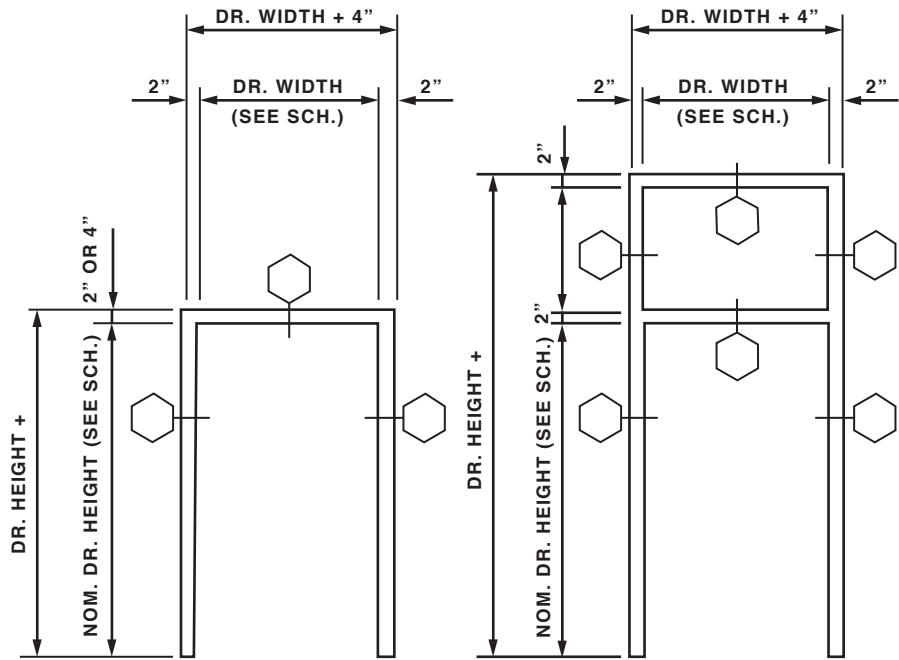
**DOUBLE EGRESS DOOR AND FRAME ELEVATIONS,  
SECTIONS & DETAILS**

DRAWN BY \_\_\_\_\_

JOB NO. \_\_\_\_\_

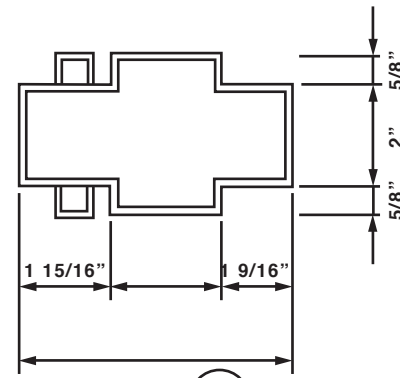
DATE \_\_\_\_\_

SHEET \_\_\_\_\_ OF \_\_\_\_\_

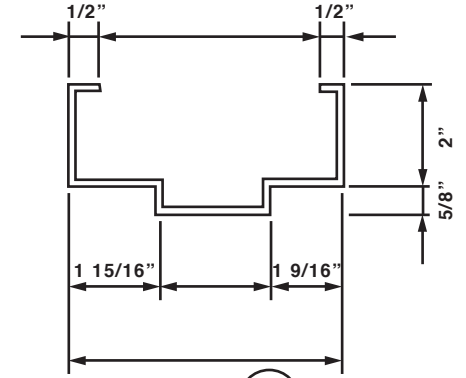


ELEV. -1

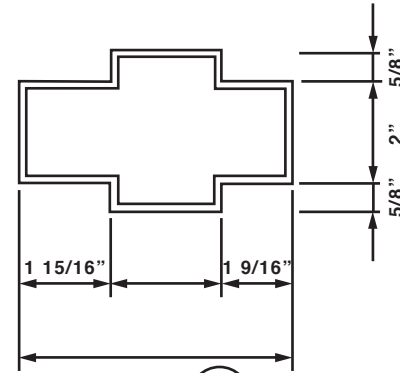
ELEV. -2



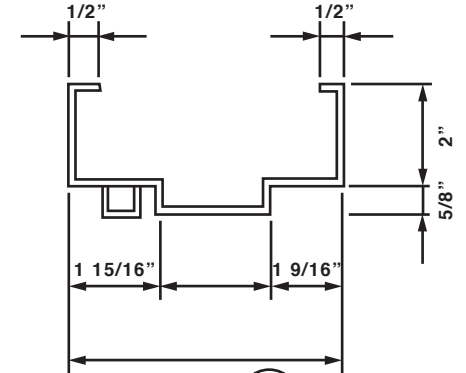
SECT. D



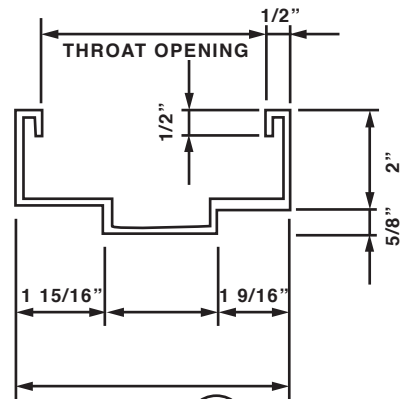
SECT. A



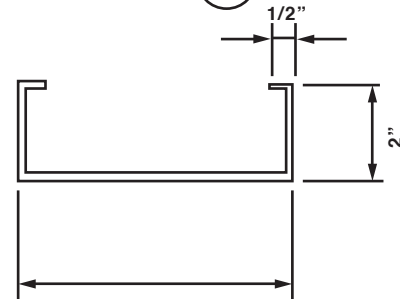
SECT. E



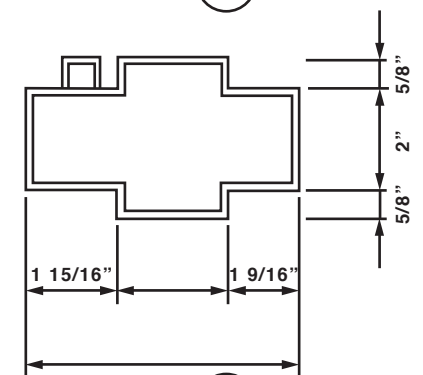
SECT. B



SECT. G



SECT. F



SECT. C

**PREMIER**

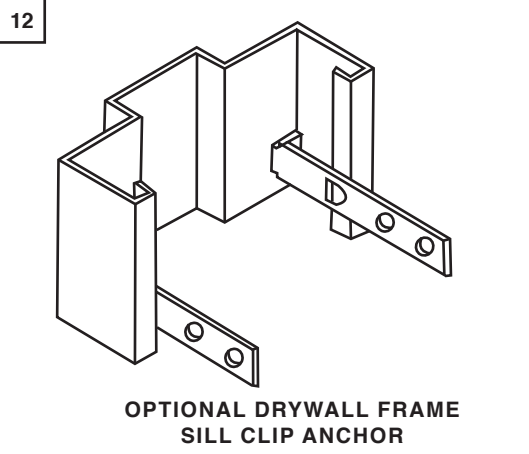
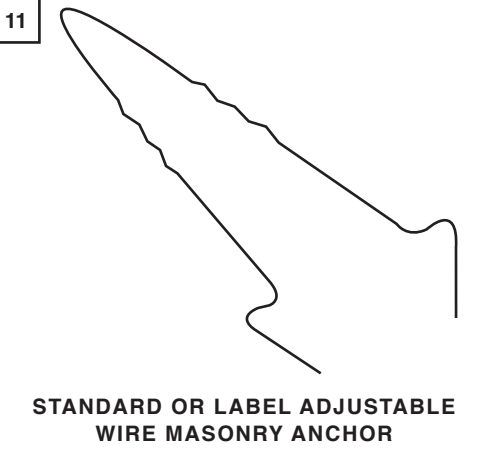
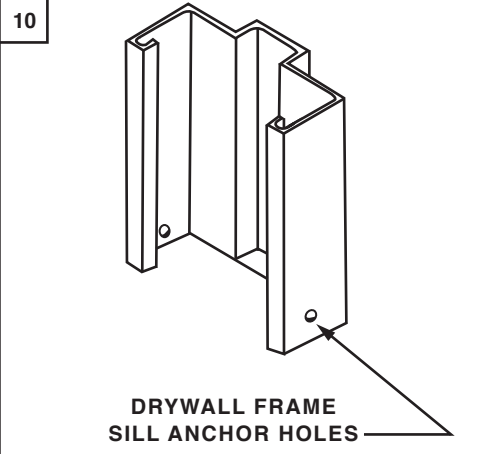
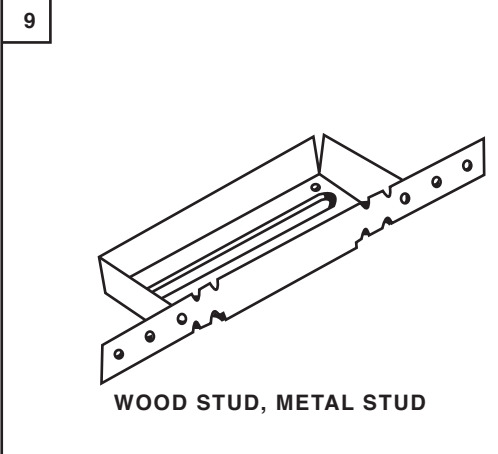
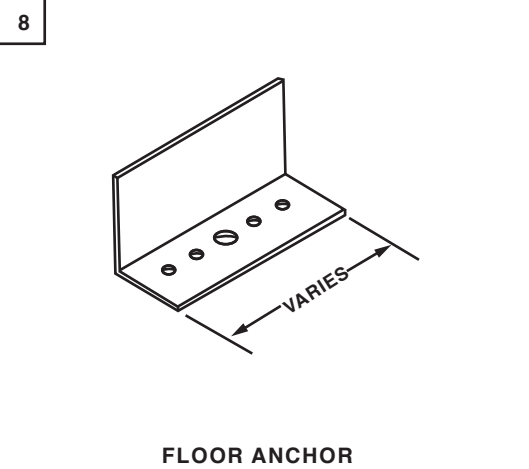
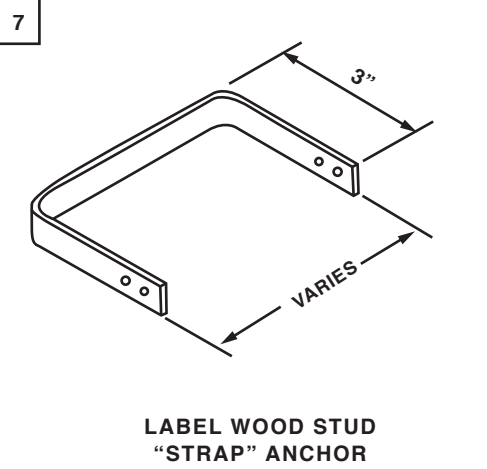
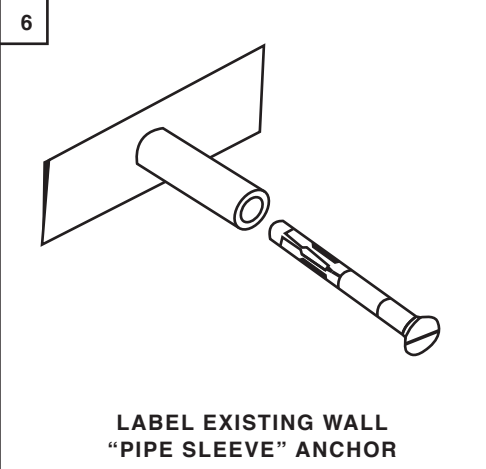
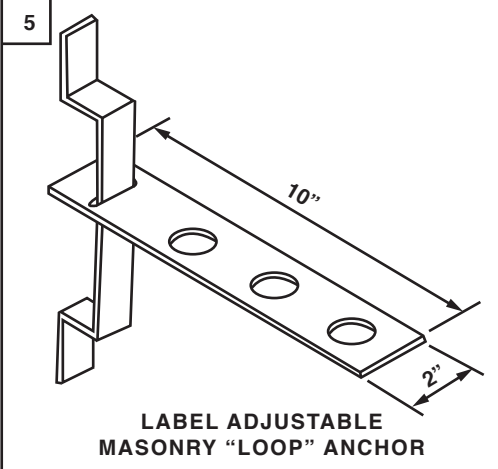
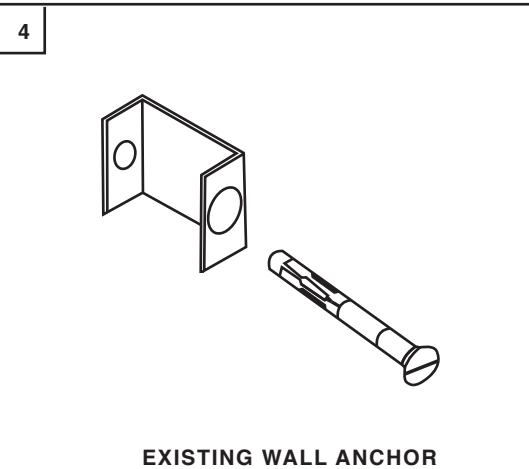
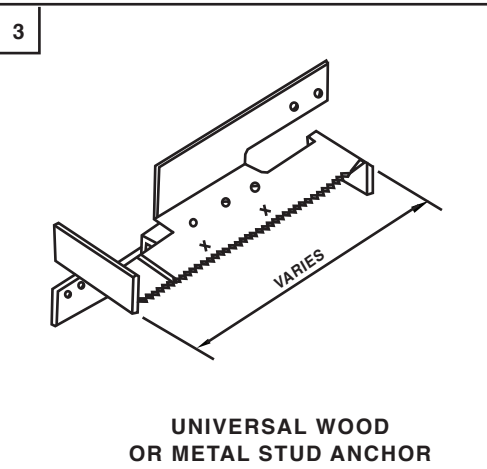
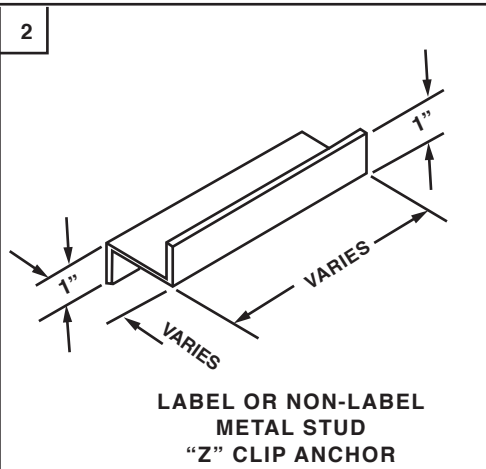
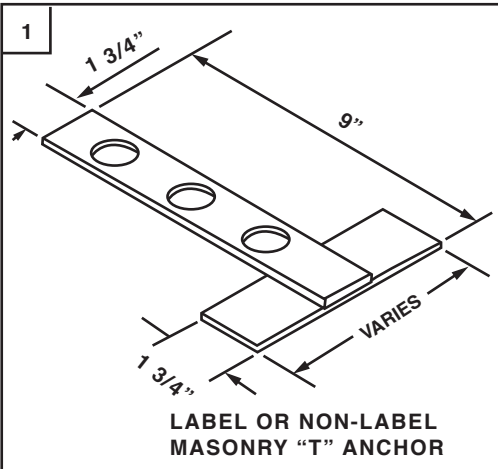
**FRAME ELEVATIONS AND SECTIONS**

DRAWN BY \_\_\_\_\_

JOB NO. \_\_\_\_\_

DATE \_\_\_\_\_

SHEET \_\_\_\_\_ OF \_\_\_\_\_

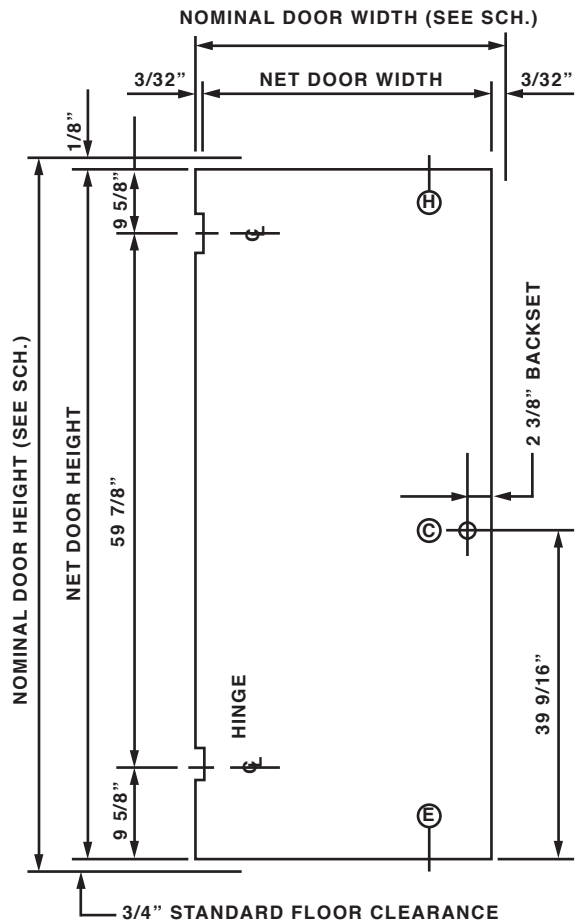


**PREMIER**

**FRAME ANCHOR DETAILS**

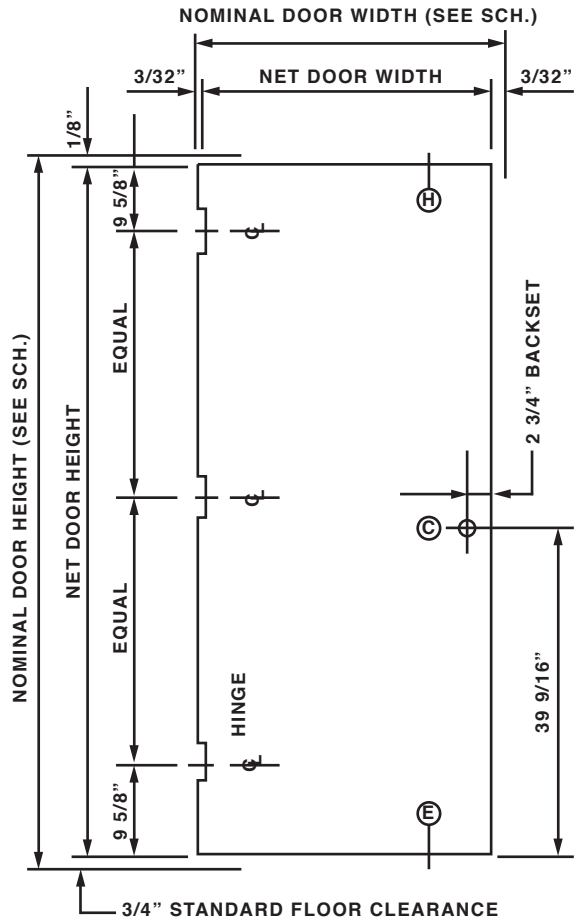
DRAWN BY \_\_\_\_\_  
DATE \_\_\_\_\_

JOB NO. \_\_\_\_\_  
SHEET \_\_\_\_\_ OF \_\_\_\_\_



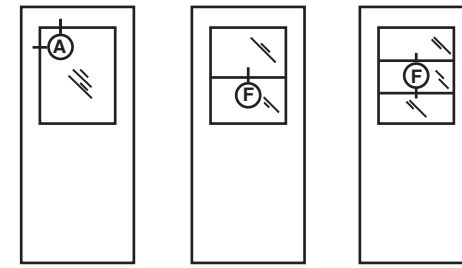
**F**

6' - 8" HIGH DOOR STANDARD  
HARDWARE LOCATION



**F**

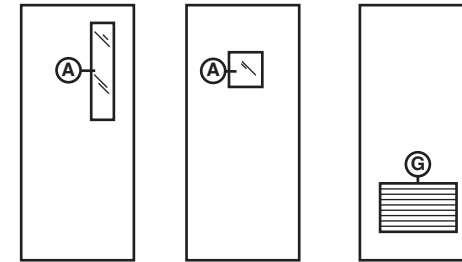
7' - 0" OR 7' - 2" HIGH DOOR STANDARD  
HARDWARE LOCATION



**G**

**G2**

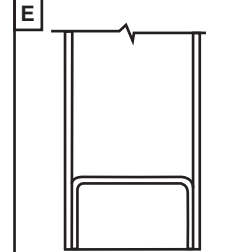
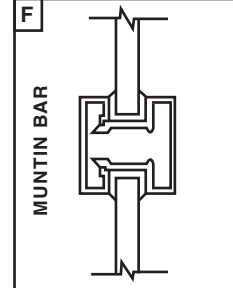
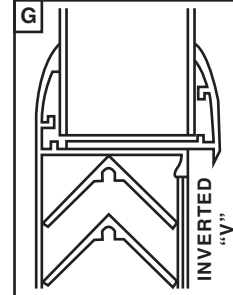
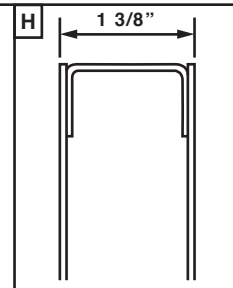
**G3**



**LV**

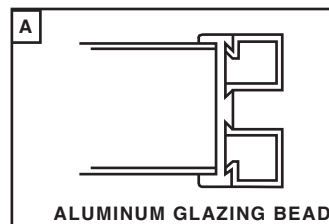
**V**

**BL**

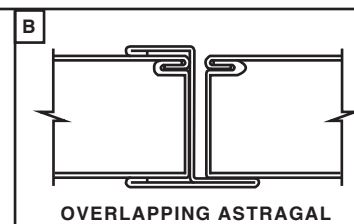


**BOTTOM CHANNEL**

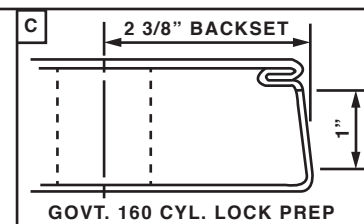
**NOTE:**  
DIMENSIONS SHOWN FOR LOCK PREP IS FOR  
GOV'T 160 LOCKS. WHEN GOV'T 86 IS TO BE  
USED (ANSI A115.1) DIMENSION TO CENTER  
OF LOCK IS 3/8" LESS THAN INDICATED.



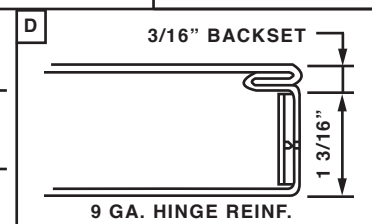
**ALUMINUM GLAZING BEAD**



**OVERLAPPING ASTRAGAL**



**GOVT. 160 CYL. LOCK PREP**



**9 GA. HINGE REINF.**

**PREMIER**

**POLYSTYRENE CORE 1 3/8" THICK DOOR  
ELEVATIONS AND DETAILS**

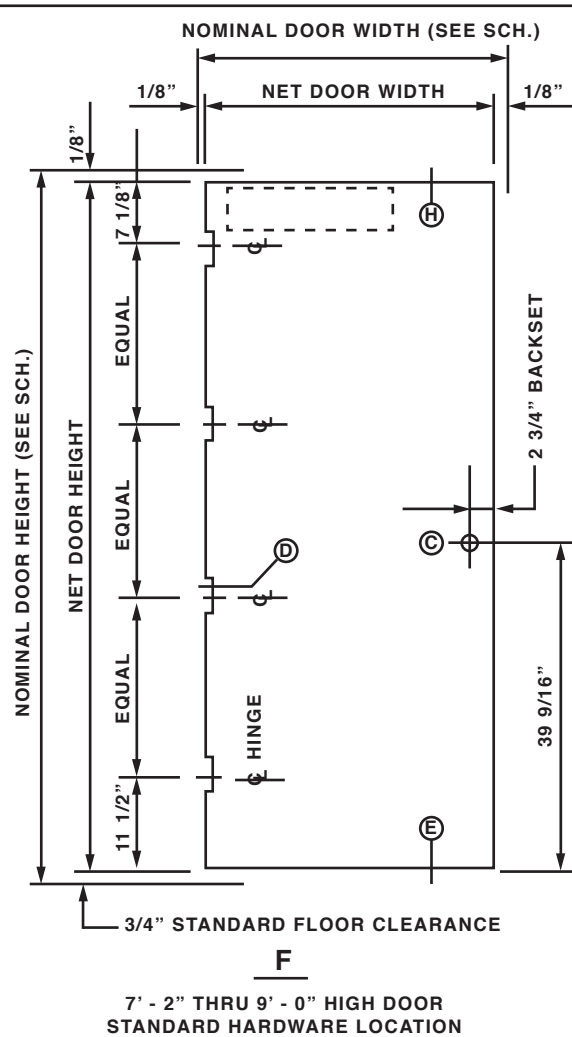
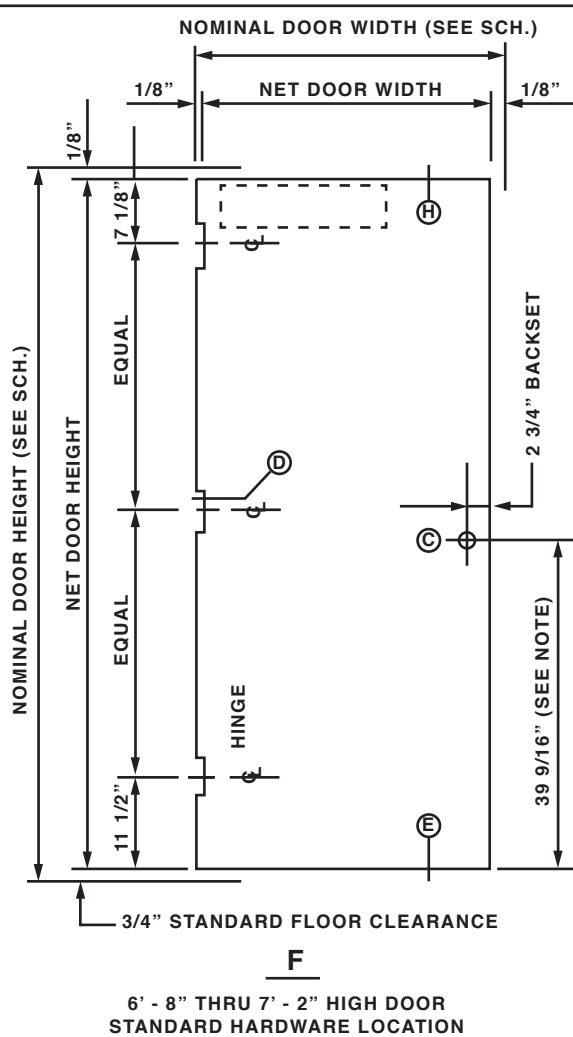
DRAWN BY \_\_\_\_\_

JOB NO. \_\_\_\_\_

DATE \_\_\_\_\_

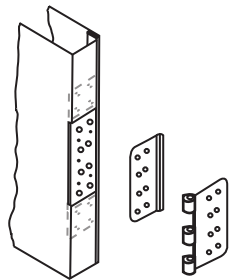
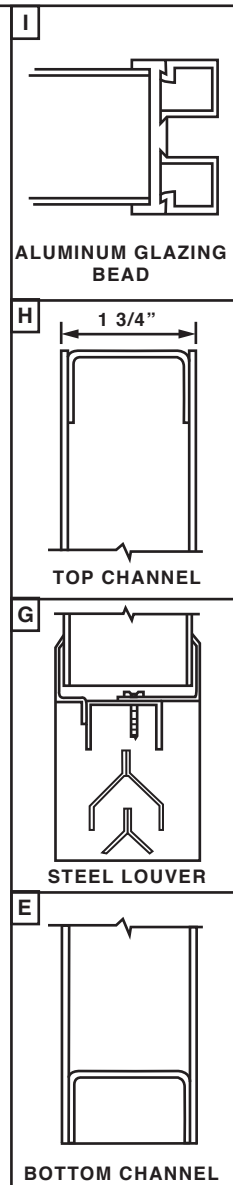
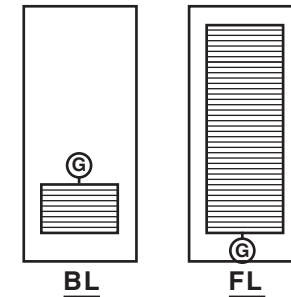
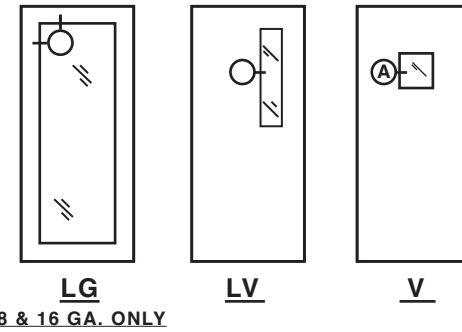
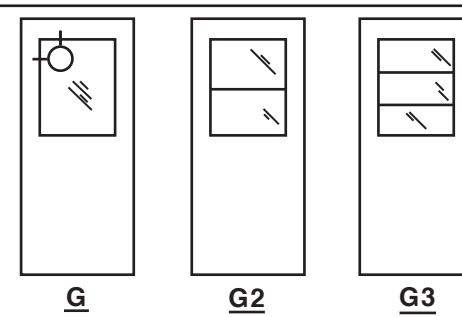
SHEET \_\_\_\_\_ OF \_\_\_\_\_



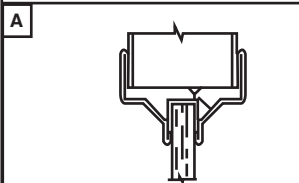


**NOTE:**  
DIMENSIONS SHOWN FOR LOCK PREP IS FOR GOV'T 161  
LOCKS. WHEN GOV'T 86 IS TO BE USED (ANSI A115.1)  
DIMENSION TO CENTER OF LOCK IS 3/8" LESS THAN INDICATED.

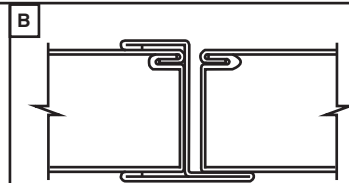
LITE & LOUVER DETAILS MAY VARY



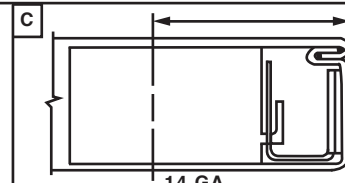
REVERSIBLE HINGE PREP



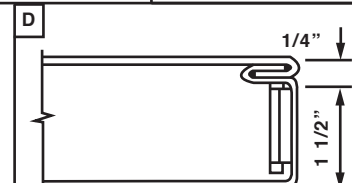
STEEL GLAZING BEAD



OVERLAPPING ASTRAGAL



14 GA.  
GOVT. 161 CYL. LOCK PREP



7 GA. HINGE REINF.

**PREMIER**

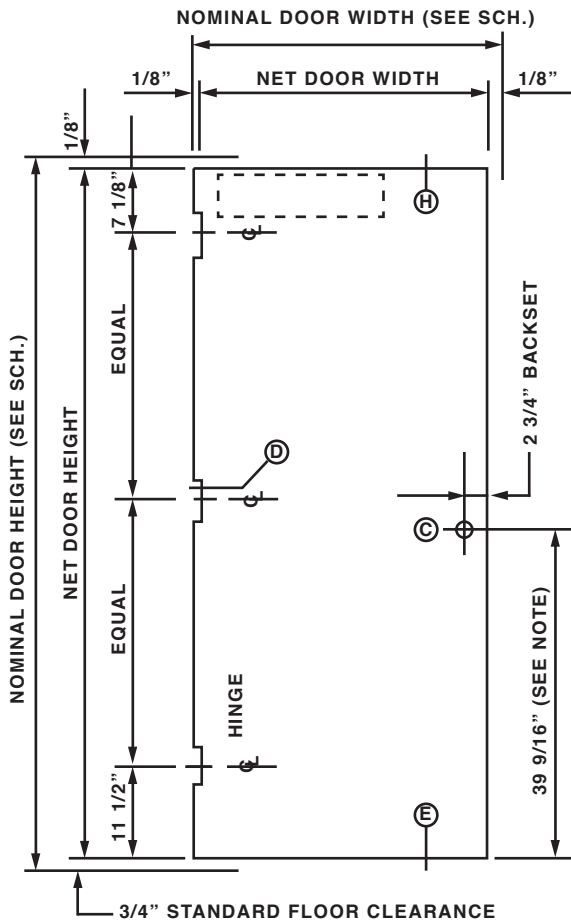
POLYSTYRENE, HONEYCOMB OR POLYURETHANE CORE 1 3/4"  
THICK DOOR ELEVATIONS AND DETAILS **OMNI** REVERSIBLE DOOR

DRAWN BY \_\_\_\_\_

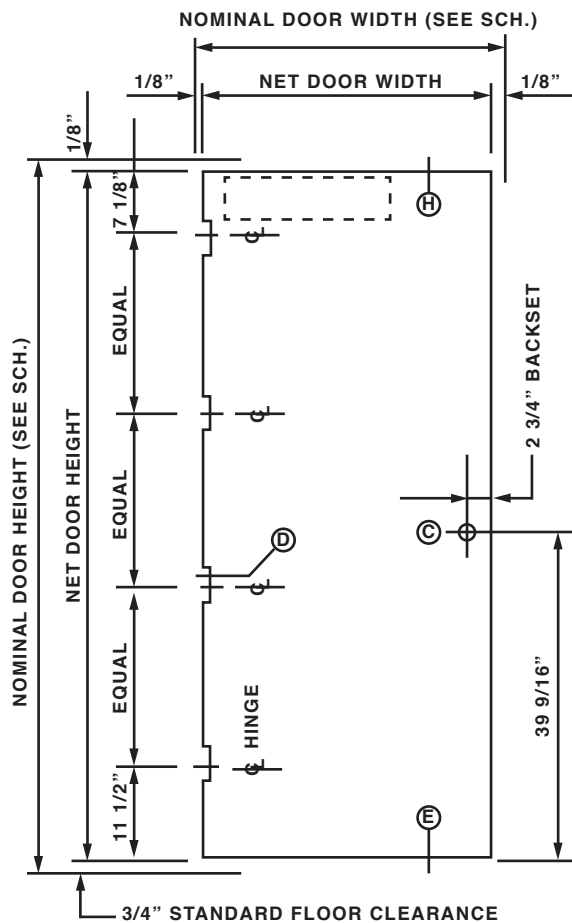
JOB NO. \_\_\_\_\_

DATE \_\_\_\_\_

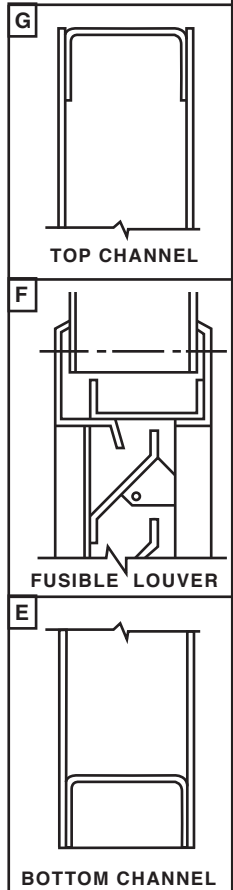
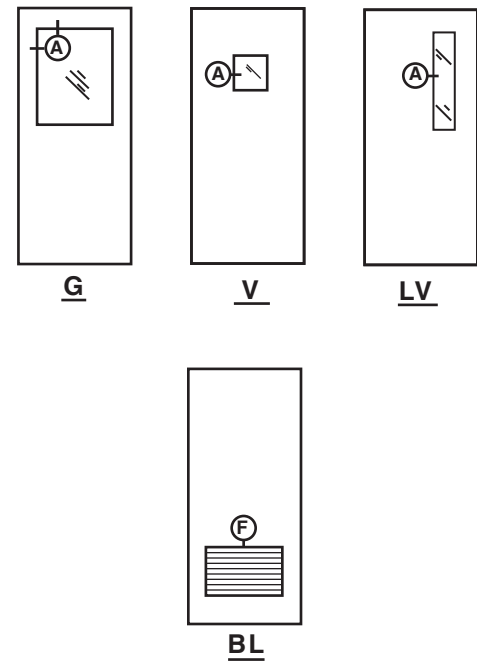
SHEET \_\_\_\_\_ OF \_\_\_\_\_



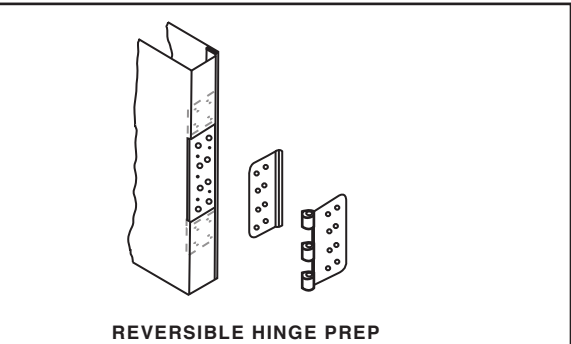
**F**  
6' - 8" THRU 7' - 2" HIGH DOOR  
STANDARD HARDWARE LOCATION



**F**  
OVER 7' - 2" THRU 9' - 0" HIGH DOOR  
STANDARD HARDWARE LOCATION

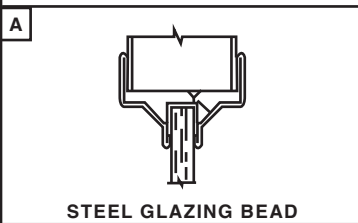


**NOTE:**  
DIMENSIONS SHOWN FOR LCOK PREP IS  
FOR GOV'T 161 LOCKS. WHEN GOV'T 86  
IS TO BE USED (ANSI A115.1) DIMENSION  
TO CENTER OF LOCK IS 3/8" LESS  
THAN INDICATED.

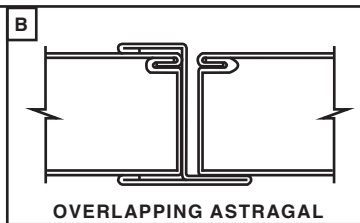


REVERSIBLE HINGE PREP

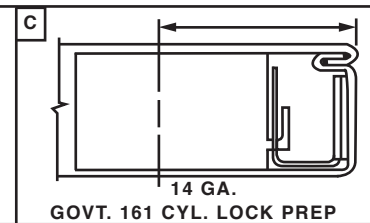
LITE & LOUVER DETAILS MAY VARY



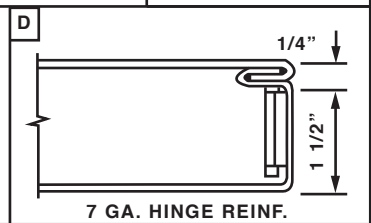
STEEL GLAZING BEAD



OVERLAPPING ASTRAGAL



GOV'T. 161 CYL. LOCK PREP



7 GA. HINGE REINF.

**PREMIER**

**LABEL 1 3/4" THICK  
DOOR ELEVATIONS AND DETAILS**

**OMNI  
REVERSIBLE DOOR**

DRAWN BY \_\_\_\_\_

JOB NO. \_\_\_\_\_

DATE \_\_\_\_\_

SHEET \_\_\_\_\_ OF \_\_\_\_\_



**PREMIER**

**GENERAL INFORMATION AND NOTES**

DRAWN BY \_\_\_\_\_

JOB NO. \_\_\_\_\_

DATE \_\_\_\_\_

SHEET \_\_\_\_\_ OF \_\_\_\_\_



